



As simple as *SolaRay* panels are to install, there are still plenty of issues to consider when mounting them! We've compiled a few installation guidelines, tricks, and tips from installers of our units here to help you figure out the best way to mount them.

**General Steps:** One of our dealers, Heating Green, has a [fantastic step by step guide](#) showing all the steps you need to take!

***SolaRay* Installation Manual:** Be sure to read the *SolaRay* installation manual: [SolaRay Install Manual](#) as well as the [SolaRay Technical Brochure](#).

### Tools Needed:

For basic surface mounting, you'll want:

- Philips Screwdriver
- Measuring Tape
- Pencil
- Drywall Saw
- Drill with 3/8" bit

If you're doing the electrical connections, you'll also need:

- Wire cutters/strippers
- Utility Knife
- Wire nuts
- Needle nose pliers

**Mounting Securely:** All *SolaRay* panels ship with heavy duty toggle bolts - each one is rated to hold 70 pounds! Even so, mounting in drywall has its problems and as such we recommend the following installation patterns for our 4' and 6' units, especially if you live in an earthquake prone area, for maximum safety.

### Other *SolaRay* Installation Tips

- Bring a friend to help! Panel installation, particularly for the larger panels, is tricky solo. Using two ladders will make the job easier.
- Position panels like you would a lighting fixture! Infrared will cover the room like a light, so space the units accordingly.
- Install a good programmable line-voltage thermostat. One of the best ways to get the most out of your investment!



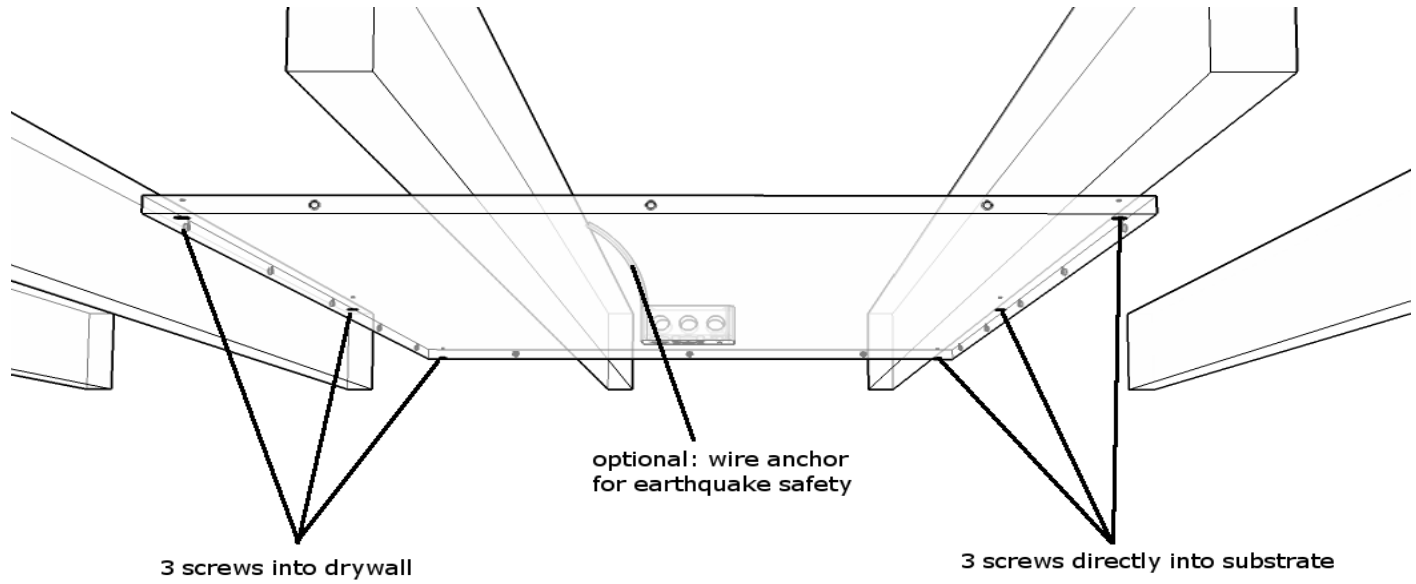
**DUCOTERRA**®

Affordable, Comfortable, Efficient  
Infrared Heating Panels



Click on the image for a full-size version. (drywall/surface material not shown for clarity)

***If mounting parallel to the ceiling joists:***



***If mounting perpendicular to the ceiling joists:***

